

info@ansutek.co.nz  
www.ansutek.co.nz  
www.ansutekbiz.co.nz

## ***Designed for Static and Dynamic Applications Such as Tank and Vessel Weighing***

Crafted from either alloy steel or stainless steel, the i-TME weighing module arrives pre-assembled for effortless installation. It is highly suitable for applications in tank weighing, level measurement, and vessel weighing systems.

### ***Unique Features:***

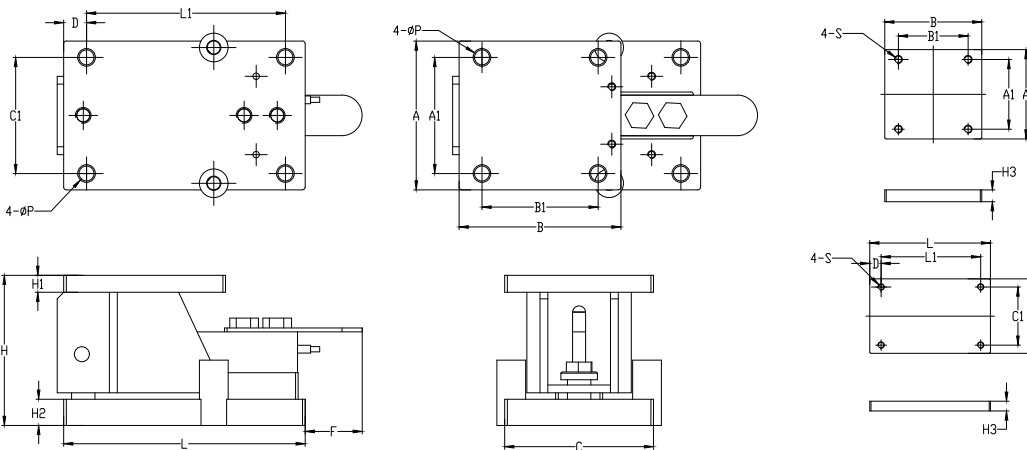
- Choose between alloy steel load cell with mounting kit or stainless steel load cell with mounting kit for static and dynamic applications. The self-centering rocker pin guarantees repeatability.
- 360° self-checking feature ensures comprehensive monitoring while lift-off & down stops enhance precision. Ground strap for safety & optional stabilizer for additional stability, optimizing weighing.
- Simple installation options available for weighing module, allowing installation with or without load cell. Effortless maintenance - load cell is easily removable or installable with minimal lifting.

# i-TME Weighing Modules

Trooper series	i-TME		i-TMES	
Weighing module material	Alloy steel, Powder-cated		304 stainless steel, Electropolished	
Rated capacity	0.5t/1t/2t	5t	0.5t/1t/2t	5t
Load cell model	LBZ4-CS		LBZ4-SS	
Load cell material	Alloy steel, silicon sealed		Stainless steel, hermetically sealed	
IP Rating	IP67		IP68	
Accuracy class	C3			
Maximum number of load cell intervals ( nLC )	3,000			
Ratio of minimum LC verification interval $Y = E_{max} / v_{min}$	10,000			
Combined error (%FS)	$\leq \pm 0.020$			
Creep (%FS/30min)	$\leq \pm 0.016$			
Temperature effect on sensitivity (%FS/10 °C)	$\leq \pm 0.011$			
Temperature effect on zero (%FS/10 °C)	$\leq \pm 0.015$			
Output sensitivity (mV/V)	3.0 $\pm$ 0.003	2.0 $\pm$ 0.004	2.0 $\pm$ 0.004	
Input resistance ( $\Omega$ )	350 $\pm$ 3.5			
Output resistance ( $\Omega$ )	351 $\pm$ 2		350 $\pm$ 3.5	351 $\pm$ 2
Insulation resistance (M $\Omega$ )	$\geq 5000$ (50VDC)			
Zero balance (%FS)	$\leq \pm 1.0$			
Compensated temperature (°C)	-10 ~ +40			
Operating temperature (°C)	-35 ~ +70			
Excitation, recommended voltage (V)	5~12 (DC)			
Excitation maximum (V)	18 (DC)			
Safe overload (%FS)	150			
Ultimate overload (%FS)	300			
Cable length	5 m			

## Accessories

Mounting Plate Set, TMES 0.5-2t SS .....	30904122
Mounting Plate Set, TMES 5t SS .....	30904123
Mounting Plate Set, TME 0.5-2t CS .....	30904124
Mounting Plate Set, TME 5t CS .....	30904125
Stabilizer, TMES 0.5-2t SS .....	30904129
Stabilizer, TMES 5t SS .....	30904130
Stabilizer, TME 0.5-2t CS .....	30904131
Stabilizer, TME 5t CS .....	30904132



Product Type	Material	Capacity (kg)	A	B	C	D	F	L	A1	B1	C1	L1	H	H1	H2	H3	P	S
i-TMES500	Electropolished 304 Stainless Steel	500	114	124	114	17.5	17.5	185	89	89	89	152.4	115	13	20	15	11.5	M10
i-TMES1T		1000	114	124	114	17.5	17.5	185	89	89	89	152.4	115	13	20	15	11.5	M10
i-TMES2T		2000	114	124	114	17.5	17.5	185	89	89	89	152.4	115	13	20	15	11.5	M10
i-TMES5T		5000	153	153	153	18	18	235	117	117	117	199	142	20	25	20	17.5	M16
i-TME500	Powder coated Q345 Steel	500	114	124	114	17.5	17.5	185	89	89	89	152.4	115	13	20	15	11.5	M10
i-TME1T		1000	114	124	114	17.5	17.5	185	89	89	89	152.4	115	13	20	15	11.5	M10
i-TME2T		2000	114	124	114	17.5	17.5	185	89	89	89	152.4	115	13	20	15	11.5	M10
i-TME5T		5000	153	153	153	18	18	235	117	117	117	199	142	20	25	20	17.5	M16

80776911\_A 20240315 © Copyright OHAUS Corporation



info@ansutek.co.nz  
www.ansutek.co.nz  
www.ansutekbiz.co.nz

The management system governing the manufacture of this product is ISO 9001:2015 certified.

